

SPCOM00000073

SYSTEMS / SISTEMI / SYSTÈMES / SISTEMAS / SYSTEME: B902L R, B902 R, B901L R, B901 R, B601 R, B5L, B5

LETTER ON THE ADAPTER / LETTERA ADATTATORE / LETTRE ADAPTATEUR / LETRA ADAPTADOR / BUCHSTABEN AM ADAPTER	COMPATIBLE HELMETS / CASCHI COMPATIBILI / CASQUES COMPATIBLES / CASCOS COMPATIBLES / KOMPATIBLE HELME
A	N100-5/PLUS, N87/PLUS
C	N80-8

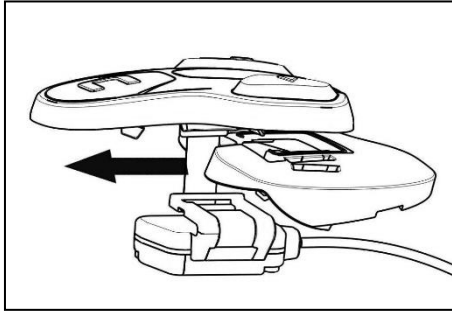


Fig. 1

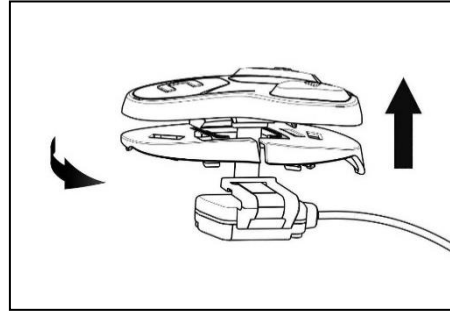


Fig. 2

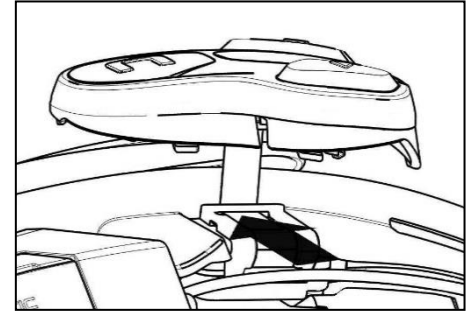


Fig. 3

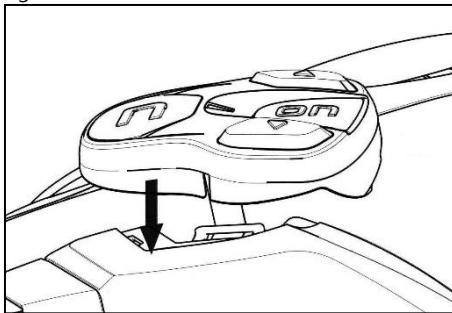


Fig. 4

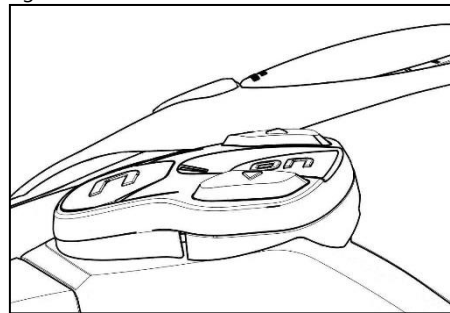


Fig. 5

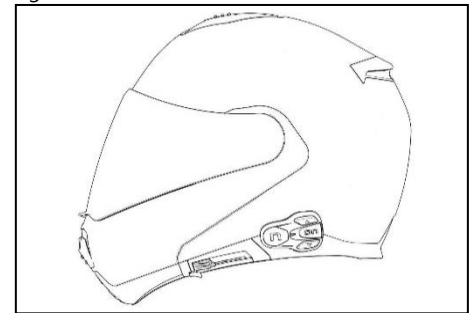


Fig. 6

SYSTEMS / SISTEMI / SYSTÈMES / SISTEMAS / SYSTEME: B4/PLUS, B1.4

LETTER ON THE ADAPTER / LETTERA ADATTATORE / LETTRE ADAPTATEUR / LETRA ADAPTADOR / BUCHSTABEN AM ADAPTER	COMPATIBLE HELMETS / CASCHI COMPATIBILI / CASQUES COMPATIBLES / CASCOS COMPATIBLES / KOMPATIBLE HELME
Y	N100-5/PLUS, N87/PLUS
D	N80-8

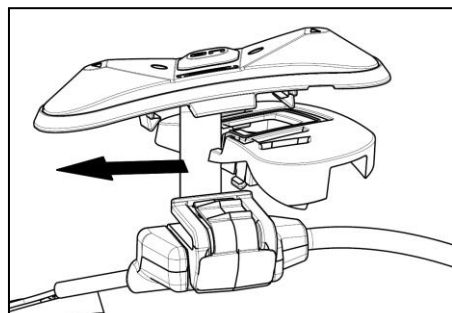


Fig. 1

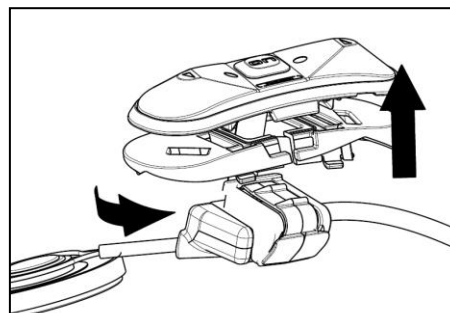


Fig. 2

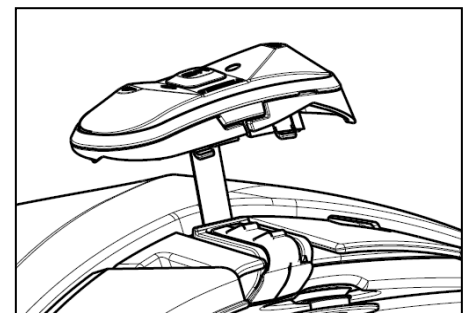


Fig. 3

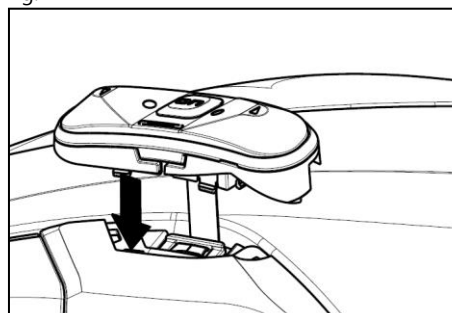


Fig. 4

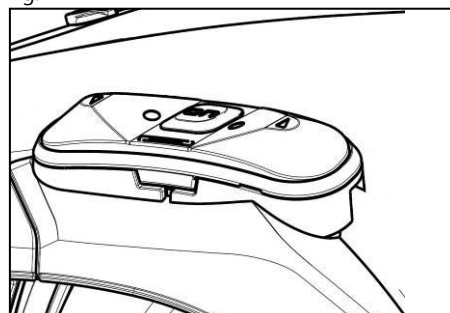


Fig. 5

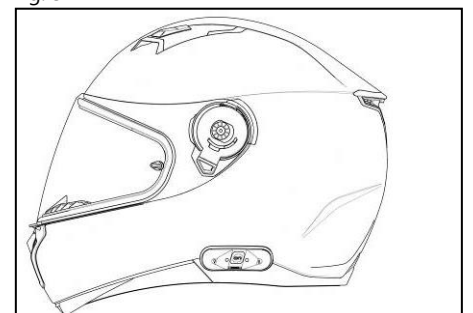


Fig. 6